



# OWNERS MANUAL

IMPORTANT: READ OWNERS MANUAL CAREFULLY



MODEL: Edger XT Mini Floor Machine

FOR YOUR CONVENIENCE, RECORD THE FOLLOWING IMPORTANT INFORMATION

MODEL: \_\_\_\_\_

SERIAL NUMBER: \_\_\_\_\_

DATE PURCHASED: \_\_\_\_\_

PURCHASED FROM: \_\_\_\_\_

This machine is built for professional use in an commercial environment. The manufacturer reserves the right to make changes to improve the design of the product without notice. Minor changes may not be documented.

## **IMPORTANT!**

Before you use your Edger XT , read the following instructions:

1. Be sure to choose the correct accessory for the work you are going to perform.
2. Do not run the brush or pad on the power cord. If the cord is damaged, contact your local distributor for replacement of the power cord.
3. Make sure personnel using the machine has the required skill and has been informed about the safety requirements when using the unit.
4. When changing accessories, or during maintenance, make sure to unplug the power cord.
5. Make sure that the accessory you are using conforms with the surface you are cleaning.

## **INSTALLATION OF ACCESSORIES**

1. Be sure to choose the correct accessory for the work you are going to perform.
2. A magnetic-locking system holds the accessory in place on the drive plate. Line up the accessory pins with the drive plate holes. To remove, pull off.
3. Never use accessories not designed for the Edger XT magnetic locking-system.

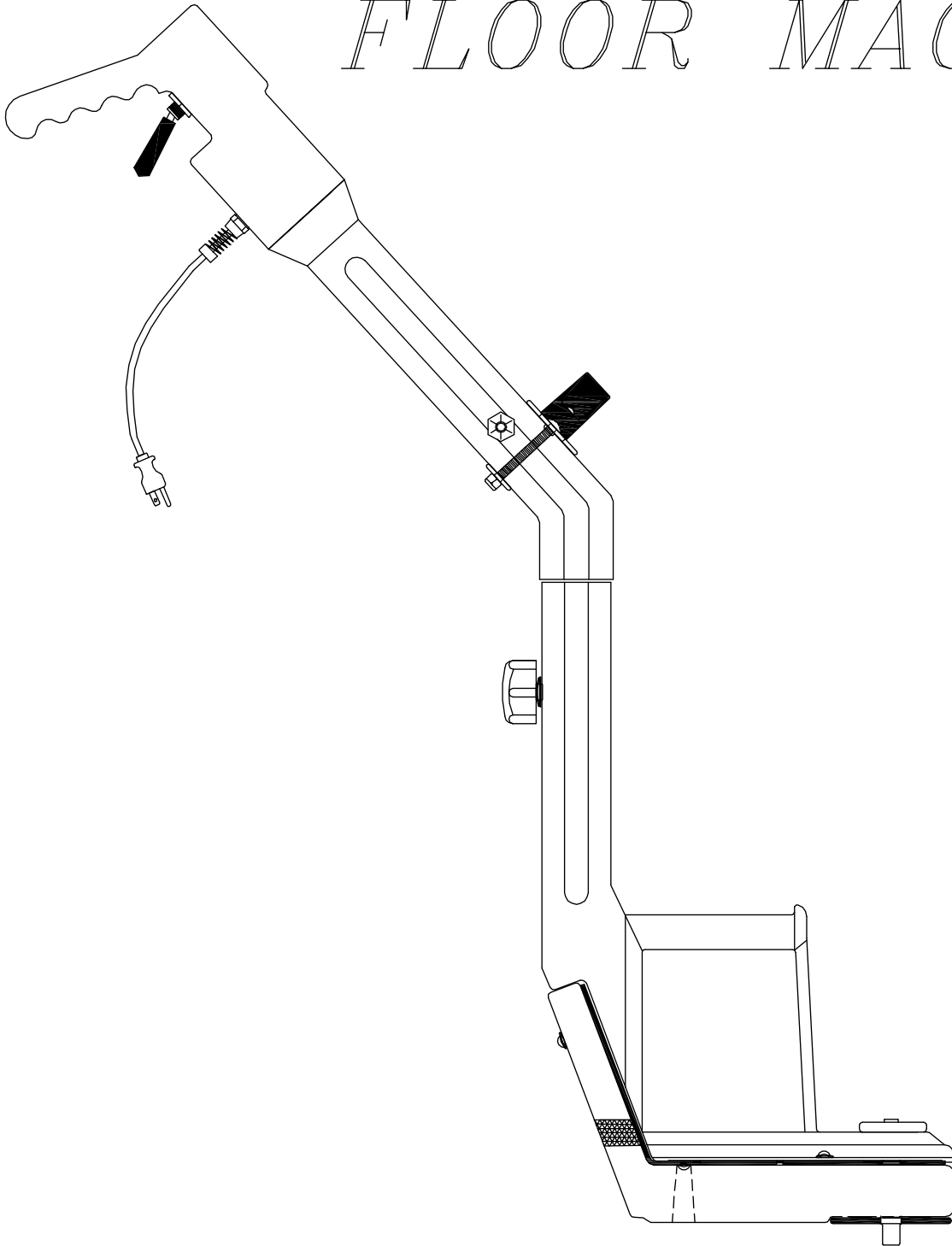
## **USE INSTRUCTIONS**

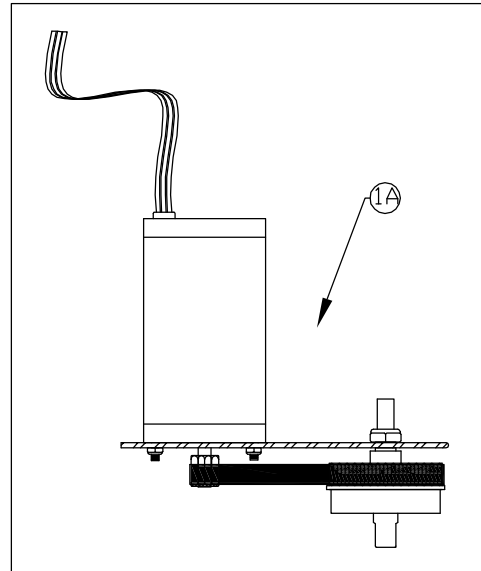
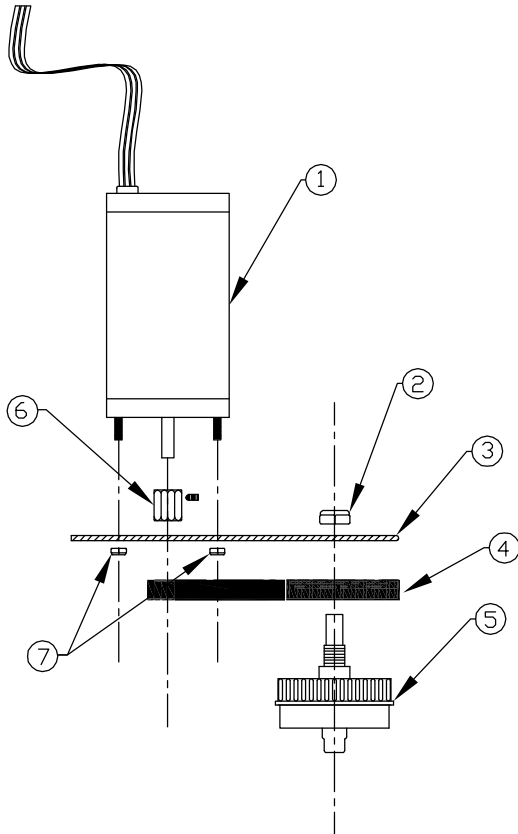
1. Proper shoes and glasses are required.
2. Be sure to choose the correct accessory for the work you are going to perform.
3. A magnetic-locking system holds the accessory in place on the drive plate. Line up the accessory pins with the drive plate holes. To remove, pull off.
4. Adjust the Edger XT height by turning the adjustment knob in the center of the machine counter clockwise to loosen. Then extend or compress the two halves together to arrive at a comfortable operating length for the user. Turn the knob clockwise to tighten.
5. Plug the unit into a grounded wall outlet in a convenient area that will not be in the way.
6. Place the Edger XT with the accessory on the floor near the area to be cleaned, but not against a wall. Start Edger XT by pulling the on/off switch at the top of the handle. Release to stop. Once you feel comfortable with the operation you can start the Edger XT. Move the Edger XT towards the wall slowly. The equipment can be operated left or right as you feel most comfortable. Maintain a 45 degree angle to the wall. Be careful that heavy amounts of liquid cleaners or stripper on the walls does not come in contact with bare skin.

## Specifications

Model	SSS EDGER XT
Item #	82009
Power Supply Input	115V 60 Hz AC
Motor	1/8 HP, 115V AC, 1.14A
Cord	50', 16-3, Orange, Detachable
Brush Size	6 or 8 Inch
Brush Speed	500
Dimensions	6" x 11" x 47"
Weight	10.5lbs (Cord not included in weight)
Shipping Weight	21 lbs.

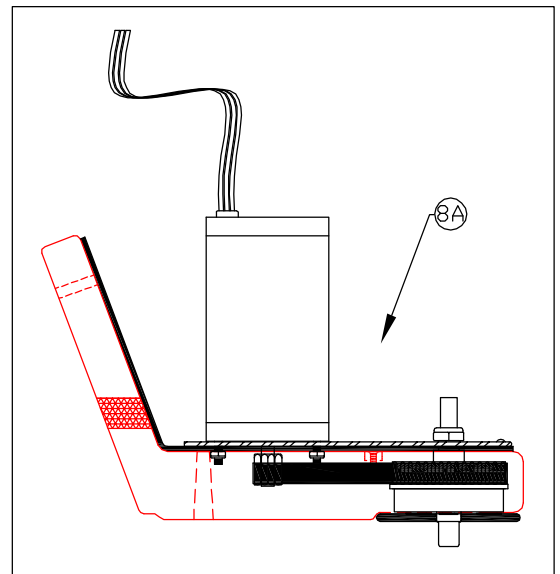
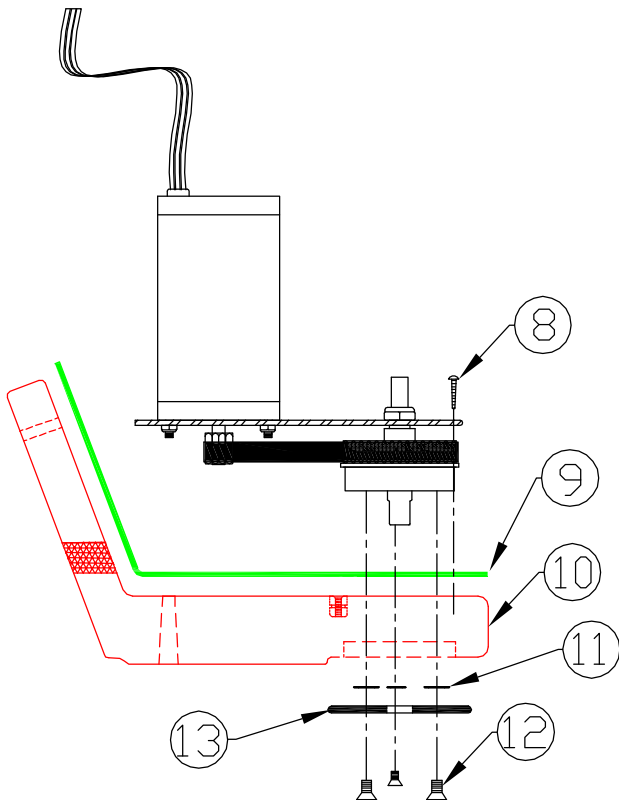
*EDGER XT MINI  
FLOOR MACHINE*





PAGE TWO 1 THUR 7

DETAIL NO:	PART NUMBER	DESCRIPTION	QTY.
1A	KIT1035	MOTOR & PLATE ASSEMBLY	1
1	E0098	MOTOR 115V DC	1
2	H0090-2	NUT 1/2 - 13 NYLOCK, THIN	1
3	M0065P	MOTOR PLATE-TALON	1
4	C0014-5	BELT 140 X L050	1
5	KIT2037	DRIVE PULLEY ASSEMBLY	1
6	HE0002	MOTOR PULLEY W/SET SCREW	1
7	H0170	NUT 10-32 NYLOCK-ZINC	2

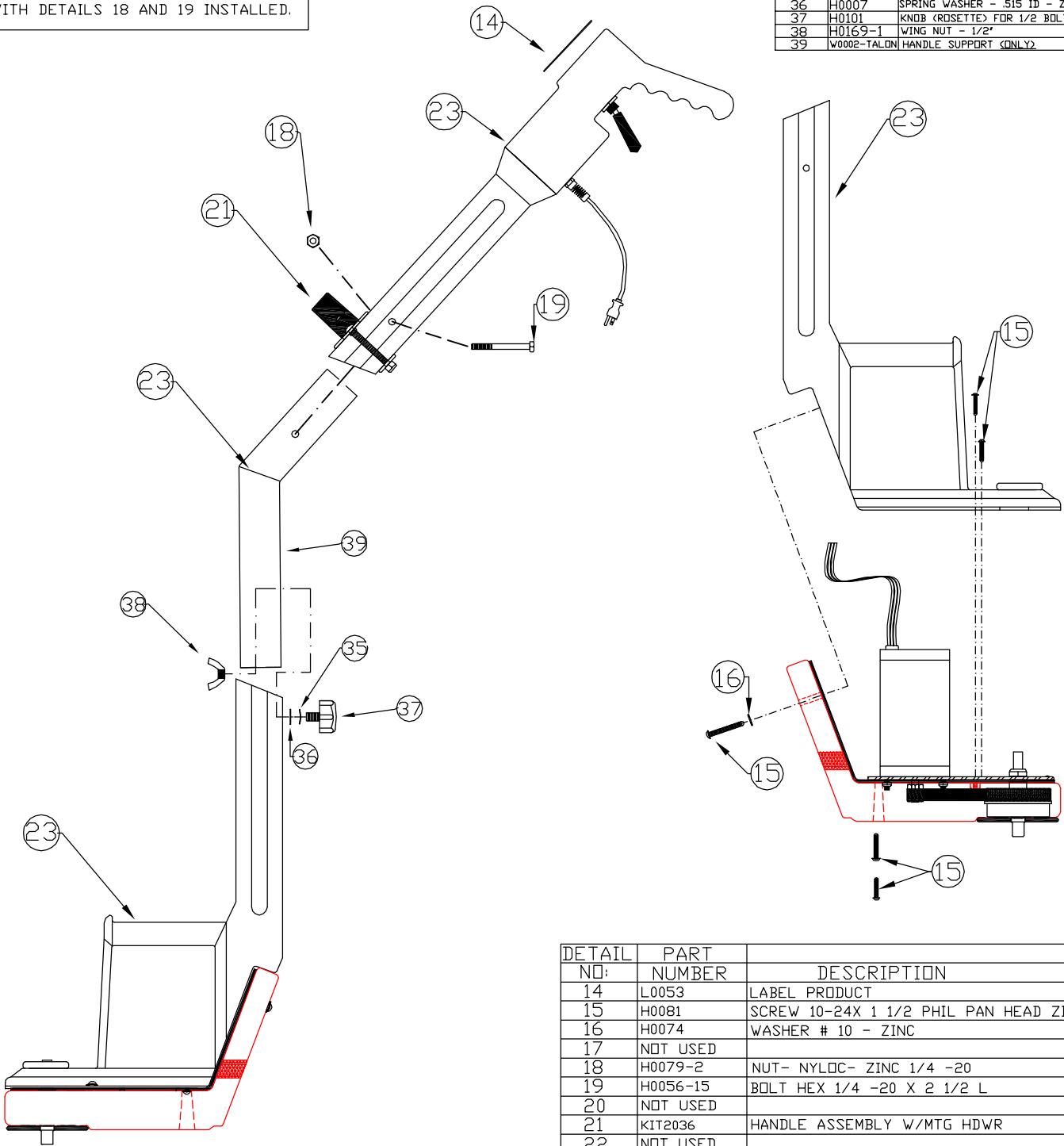


PAGE THREE 8 THUR 13

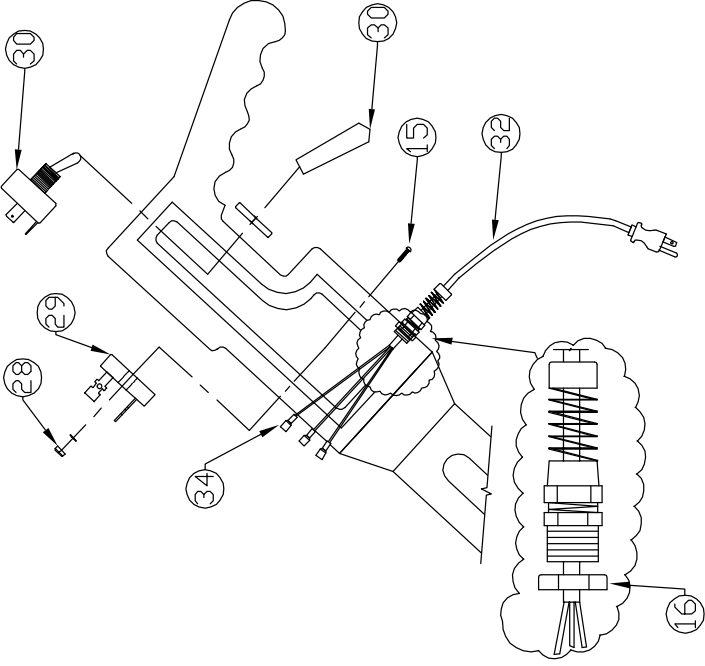
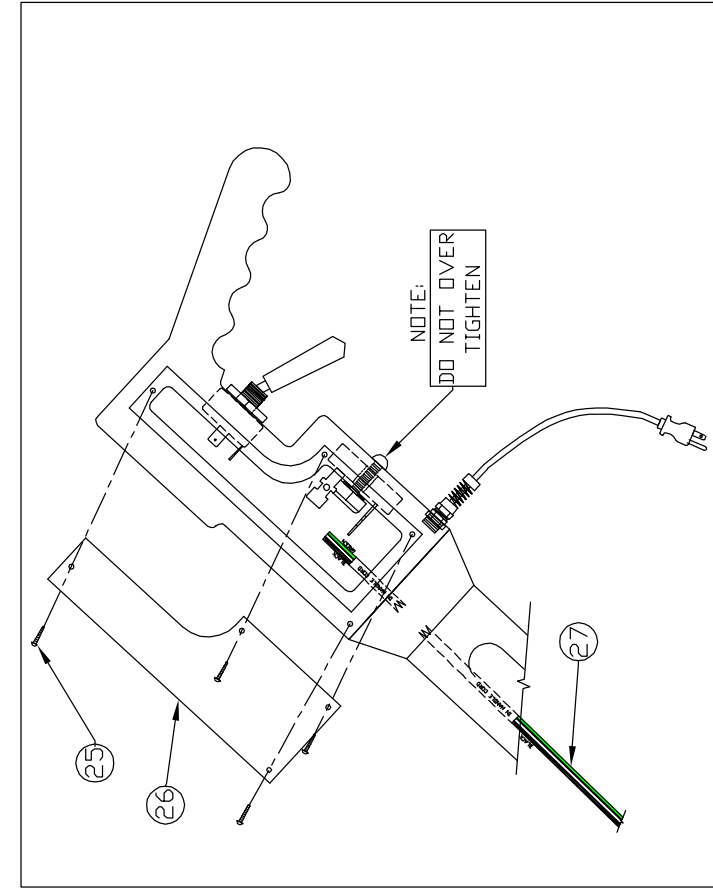
DETAIL NO:	PART NUMBER	DESCRIPTION	QTY.
8A	KIT1036	MOTOR PLATE & BODY ASSEMBLY COMP.	1
8	H0059	SCREW PAN HEAD #8X3/4	1
9	C0064	GASKET LOWER MOTOR PLATE ASSY.	1
10	C0056	BODY - TALON BLACK /SHOE	1
11	H0008-1	WASHER ZN STEEL 3/8 X 5/8 X .032F/W	3
12	H0107-1	SCREW SS FHEAD CAP 1/4-20 X 1/4	3
13	AS015306B	DRIVE PLATE	1

NOTE:  
PARTS INCLUDED IN DETAIL #23  
ARE UPPER HANDLE, LOWER BODY,  
HANDLE SUPPORT/ADJUSTING BRACKET,  
WITH DETAILS 18 AND 19 INSTALLED.

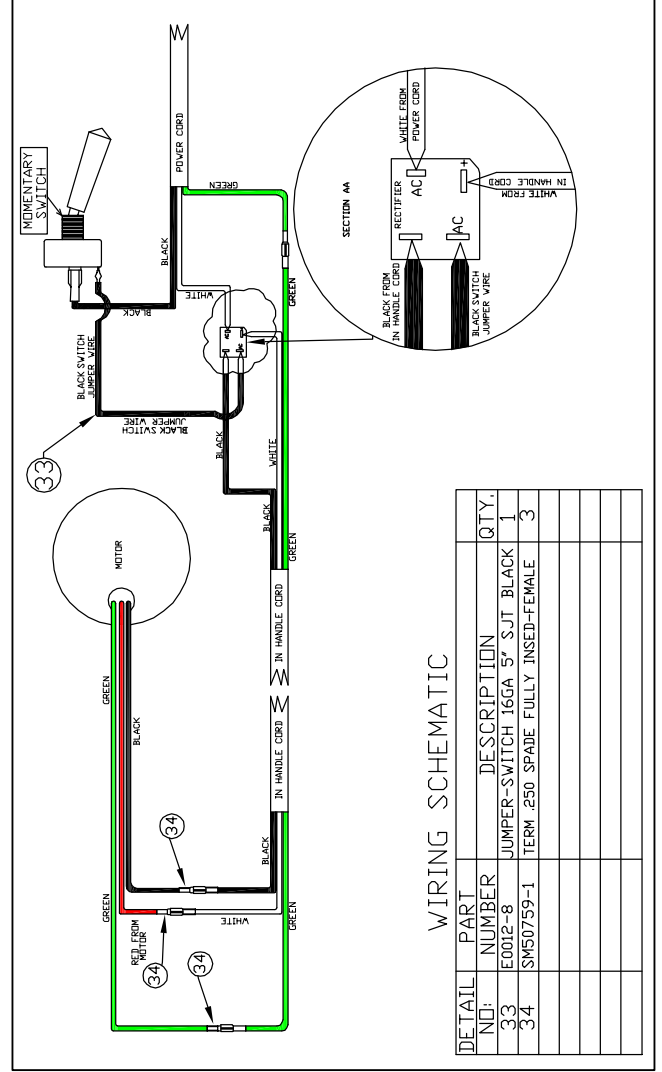
DETAIL	PART	DESCRIPTION	QTY.
NO:	NUMBER		
18	H0079-2	NUT- NYLOC- ZINC 1/4 -20	1
19	H0056-15	BOLT HEX 1/4 -20 X 2 1/2 L	1
35	H0008	WASHER ZINC PLATED STEEL	1
36	H0007	SPRING WASHER - .515 ID - ZINC	1
37	H0101	KNDB (ROSETTE) FOR 1/2 BOLT	1
38	H0169-1	WING NUT - 1/2"	1
39	W0002-TALON	HANDLE SUPPORT (ONLY)	1



DETAIL	PART	DESCRIPTION	QTY.
NO:	NUMBER		
14	L0053	LABEL PRODUCT	1
15	H0081	SCREW 10-24X 1 1/2 PHIL PAN HEAD ZINC	5
16	H0074	WASHER # 10 - ZINC	1
17	NOT USED		
18	H0079-2	NUT- NYLOC- ZINC 1/4 -20	1
19	H0056-15	BOLT HEX 1/4 -20 X 2 1/2 L	1
20	NOT USED		
21	KIT2036	HANDLE ASSEMBLY W/MTG HDWR	1
22	NOT USED		
23	KIT3034-COLOR	HANDLE UPPER/LOWER W/ADJ./SUPPORT	1



DETAIL NO:	PART NUMBER	DESCRIPTION	QTY.
15	H0002-1	SCREW 10-24X3/4 PHIL PAN HEAD	1
16	H0022	1/2 INCH CONDUIT LOCK NUT	1
24	NOT USED		
25	H0059-1	SCREW SHEET METAL # 8 X 1/2	4
26	C0058	COVER PLATE-ACCESS SWITCH	1
27	E0012-7	IN HANDLE CORD 16-3 X 48" - TALON	1
28	H0079	NUT-10-24 ZINC	1
29	E0035	BRIDGE RECTIFIER-110/220 V 60 AMP	1
30	KIT1037	SWITCH ASSEMBLY OPERATOR	1
31	NOT USED		
32	KIT1038	PIGTAIL BLACK 16-3 X 20"/MSTRAIN RELIEF	1
33	E0012-8	JUMPER-SWITCH 16GA 5" SJT BLACK	1
34	SM50759-1	TERM .250 SPADE FULLY INSEED-FEMALE	1



WIRING SCHEMATIC

DETAIL NO:	PART NUMBER	DESCRIPTION	QTY.
33	E0012-8	JUMPER-SWITCH 16GA 5" SJT BLACK	1
34	SM50759-1	TERM .250 SPADE FULLY INSEED-FEMALE	3

## LIMITED WARRANTY

Your equipment which has been manufactured, tested and inspected in accordance with carefully specified engineering requirements, is warranted to be free from defects in material and workmanship. This Limited Warranty is, however, subject to the Following qualifications, conditions and limitations which are set forth to provide you and all users of the equipment with information concerning the duration, extent, availability, and applicability of this Limited Warranty, the procedure to be taken to obtain its performance, and other information concerning the **Limited Warranty policy**.

The Limited Warranty is extended to the original end user as follows:  
Non-wear items: 1 year parts replacement and 6 months service labor warranty.  
Replacement parts guaranteed for 90 days from date of installation against defects in material and workmanship.

This Limited Warranty will not cover damage attributable to the following:

- (1) Improper, unreasonable or negligent use or abuse of the equipment
- (2) Abrasions or punctures of the equipment.

The start date of the Limited Warranty coverage shall be the purchase date of the original end user or six months from the date the machine was shipped from the Factory, whichever comes first.

### PARTS OF EQUIPMENT NOT COVERED BY THE LIMITED WARRANTY

Certain parts of equipment require replacement in the ordinary use due to normal wear by reason of their characteristics. Normal wear items such as cords, switches, bumpers, bearings, isolators, compensators, capacitors etc. are excluded from the Limited Warranty.

### EXCEPTIONS AND EXCLUSIONS FROM THE LIMITED WARRANTY

This equipment is required to be used on electric current as indicated on the data plate. Otherwise damage, defects, malfunctions or other failure of the equipment arising from use on electric current not as indicated are excepted and excluded from this Limited Warranty. Defects, malfunctions, failure or damage of the equipment caused by improper, unreasonable or neglect use or abuse while in possession of the purchaser are likewise excluded from this warranty. If repair is done on your equipment by anyone other than those designated as authorized to perform such work without first having obtained factory instructions, your distributor at its sole option, may determine that this warranty will not apply and that reimbursement for such repair will not be made because of the failure to comply with such factory specified instructions.

### PROCEDURE TO BE TAKEN TO OBTAIN PERFORMANCE OF LIMITED WARRANTY REPAIR

To secure repair of the equipment or any warranted parts under this Limited Warranty, the following procedure should be taken. The inoperative equipment or warranted parts, together with satisfactory evidence of the purchase date, must be delivered, with shipping and delivery charges prepaid, to one of the following:

- (1) The dealer from whom purchased;
- (2) Any distributor's service department in the United States;
- (3) Any authorized service station in the United States.

If you are unable to locate any of the foregoing, you may write or otherwise communicate with your distributor before repair service is performed by anyone else. In such event, your distributor will provide either the location or a closely available distributor service department, or authorized service station or other factory instructions. Upon compliance with the above procedure, all warranted defects will be repaired, at no additional charge or costs to the customer, and the repaired product returned to the customer, with all shipping and delivery charges pre-paid. In following the procedures set forth, PLEASE MAKE CERTAIN to state the model, type and serial number as shown on the data plate of the equipment.

### REPLACEMENT

In the event of a defect, malfunction or failure of your equipment or any warranted part to conform with this warranty, your distributor may, at its sole option and own expense, replace the equipment or any warranted part with another new, identical or reasonably equivalent model or part in lieu of repairing the defect. **DO NOT** return any equipment or part to the factory without prior authorization.

### NO REFUND OF PURCHASE PRICE

Your distributor **WILL NOT**, as a matter of its Limited Warranty policy, refund the customer's purchase price.

**LIMITED WARRANTY REGISTRATION CARD FOR YOUR EQUIPMENT AND REQUEST FOR INFORMATION**  
Your distributor from whom you purchased your equipment is responsible for the registration of your Limited Warranty with the factory. Any information or questions you may have concerning your equipment or this Limited Warranty may likewise be secured from the factory. This Limited Warranty will give you specific legal rights, and you may also have other rights which vary from state to state.